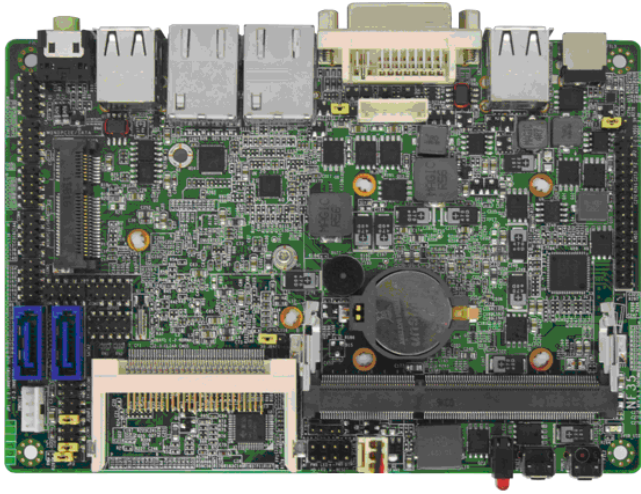
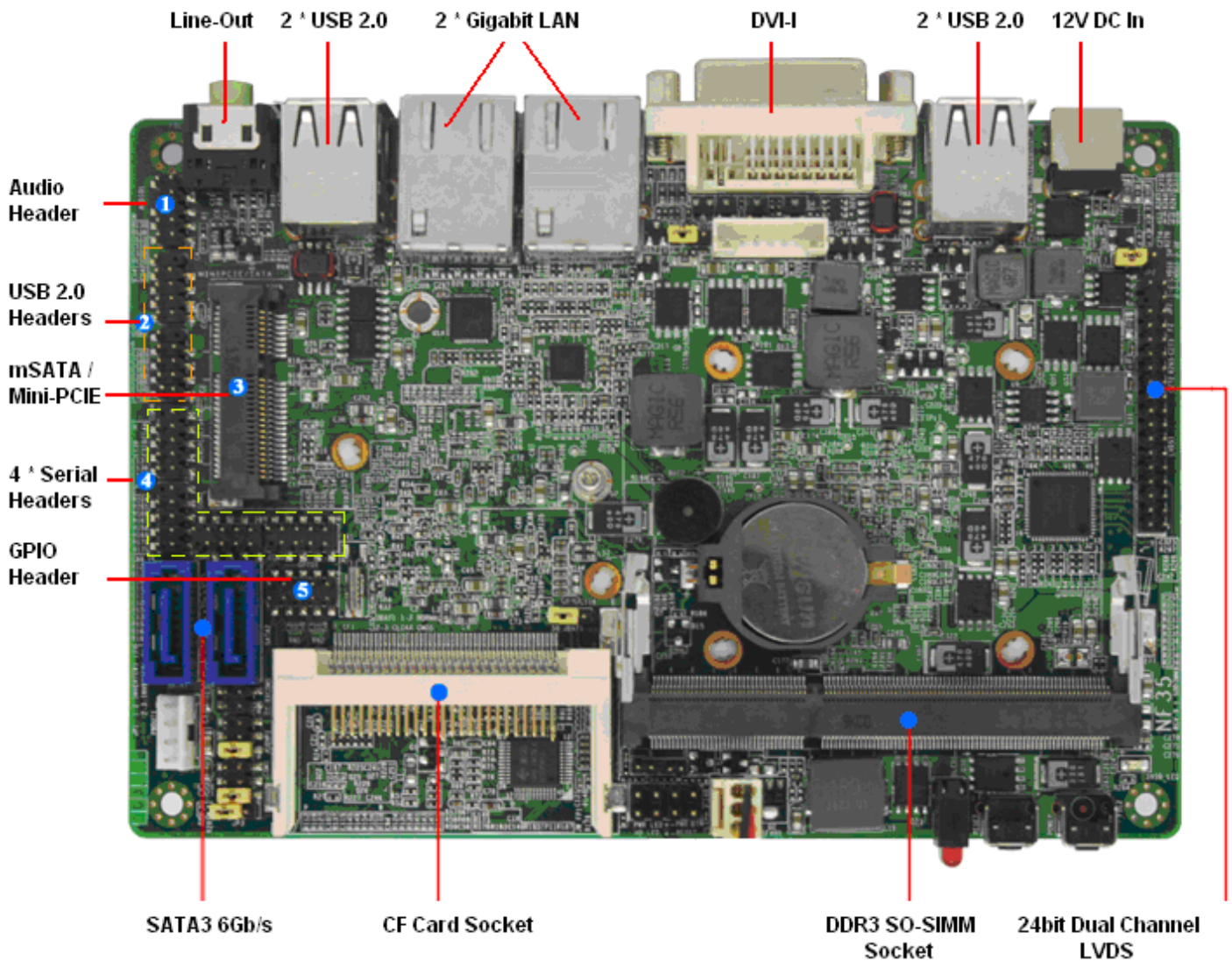


NF35 Series



1. Embedded Long-life Series Available Through Q4'2015
2. AMD G-Series Embedded APU, AMD A50M Chipset
3. Integrated Radeon HD Graphics, DX11, DVI-I & LVDS Output
4. Supports DDR3-800/1066 SO-DIMM up to 4GB
5. 2 * SATA3 6Gb/s, 1 * CF, 1 * Shared mSATA/mini-PCIE Slot
6. Dual Gigabit LAN, Watchdog, 4 * COM Headers

Available Models	Description
JNF35-T40E	NF35 with G-T40E APU
JNF35-T56N	NF35 with G-T56N APU
HBJC361F35W T40E B	Barebone using JNF35 T40E
HBJC371F35W-T40E-B	Barebone using JNF35-T40E



Specifications

■ CPU	<ul style="list-style-type: none"> ■ AMD APU G-T40E, 1.0GHz, Dual-Core, 40nm, 6.4W ■ AMD APU G-T56N, 1.6GHz, Dual-Core, 40nm, 18W
■ Chipset	■ AMD A50M Chipset (Hudson M1)
■ Video	■ Integrated Radeon HD 6250 / 6310 Graphics, DirectX 11
■ Memory	■ 1 * 204-pin DDR3-800/1066 Single Channel SO-DIMM up to 4GB
■ Expansion Slots	■ 1 * PCI Express Mini Card Slot / mSATA Combo Slot (jumper selectable)
■ Storage	<ul style="list-style-type: none"> ■ 2 * SATA3 6Gb/s Connectors ■ 1 * CF Card Socket
■ Audio	■ Realtek ALC662 HD Audio
■ Network	■ 2 * Realtek RTL8111EVL PCI-E Gigabit LAN with Enhanced Surge Protection
■ LVDS	■ 24-bit Dual Channel LVDS & Inverter Header
■ USB	■ 8 * USB 2.0 Ports Total
■ Other Features	■ Support ACPI S3, CPU Smart Fan, Watchdog Timer 1-255 min/sec
■ Rear Panel I/O	<ul style="list-style-type: none"> ■ 4 * USB 2.0 Ports ■ 2 * RJ-45 Ports ■ 1 * Line-Out Port ■ 1 * DVI-I Port ■ 1 * 12V DC In
■ Internal I/O	<ul style="list-style-type: none"> ■ 2 * USB Headers for 4 * USB 2.0 Ports ■ 1 * LVDS & Inverter Headers ■ 1 * Audio Header ■ 4 * Serial Headers (3 * RS232, 1 * RS232/422/485) ■ 1 * GPIO Header ■ Power Button, Reset Button
■ BIOS	■ AMI EFI 16MB SMT Flash ROM
■ Box Contents	■ NF35 Motherboard, SATA Cable, Internal Power Cable, Manual, DVD Driver Disk, DVI-to-VGA Adapter
■ Compliance	■ CE, FCC, RoHS, ErP
■ Temperature	<ul style="list-style-type: none"> ■ Operating Temp 0~50° C ■ Storage Temp -20-85° C
■ Form Factor	■ 3.5" SBC Form Factor (148mm x 102mm)
■ Warranty	■ 2 Years Limited Warranty

*The NF35-T40E is also available in barebone system HBJC361F35-B.

**Specifications subject to change without notice, not responsible for typographical errors.



www.ibtpanelpc.com

eMail: info@ibtpanelpc.com **iBT Technologies inc.**
 Toll Free: 1(866) 590-4288 Tel. (514) 832-0808 Fax. (514) 832-0128